

Greater China Distributer:

Guangzhou Renxin Mechanical&Electronic Equipment Co.,Ltd

ASAHI AV VALVE AND PIPING SYSTEMS

ASAHI AV VALVES

The specifications in this brochure are subject to change without prior notice due to improvements and modifications.

ASAHI AV VALVES

AURO HISTORY	2	BUTTERFLY VALVE TYPE 56	30
INDEX	3	BUTTERFLY VALVE TYPE 75	31
TYPES OF ASAHI AV PRODUCTS	4 - 5	BUTTERFLY VALVE TYPE 57L (LUG STYLE)	32 - 33
RANGE OF NOMINAL SIZE AND MATERIALS	6 - 7	BUTTERFLY VALVE TYPE 55	34 - 35
DIAPHRAGM VALVE TYPE 14	8 - 9	PDCPD BUTTERFLY VALVE	36 - 37
TRUE UNION DIAPHRAGM VALVE TYPE 14	10 - 11	ROTARY DAMPER	38 - 41
DIAPHRAGM VALVE TYPE 15	12 - 13	SWING CHECK VALVE	42 - 43
DIAPHRAGM VALVE TYPE 72	14 - 16	BALL CHECK & BALL FOOT VALVE	44 - 47
BALL VALVE TYPE 21	17 - 19	Y-SEDIMENT STRAINER	48 - 49
3-WAY BALL VALVE TYPE 23	20 - 21	DIAPHRAGM VALVE TYPE 14 PNEUMATIC	50
3-WAY BALL VALVE TYPE 23H	22 - 23	TU DIAPHRAGM VALVE TYPE 14 PNEUMATIC	51
COMPACT BALL VALVE	24	AV GASKET	52 - 53
LAB COCK	25 - 26	NOTES	54
PANEL MOUNTING	27	ABBREVIATIONS	55
BUTTERFLY VALVE TYPE 57	28 - 29	LOCATIONS	56

Tell: +86)020-82228060 Fax: +86)020-82226718
 Contact: : Dennis Ding/丁劲嵩 +86)13922707985
 Web: www.ren-xin.com Email: sales@ren-xin.com



Asahi AV Products

Make Your Systems More Sophisticated.



DIAPHRAGM VALVE
TYPE14
(Page 8 - 9)



TRUE UNION
DIAPHRAGM VALVE TYPE14
(Page 10 - 11)



DIAPHRAGM VALVE
TYPE15
(Page 12 - 13)



DIAPHRAGM VALVE
TYPE72
(Page 14 - 16)



LAB COCK
(Page 25 - 26)



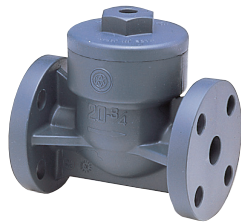
BUTTERFLY VALVE
TYPE57
(Page 28 - 29)



BUTTERFLY VALVE
TYPE56
(Page 30)



BUTTERFLY VALVE
TYPE75
(Page 31)



SWING CHECK VALVE
(Page 42 - 43)



BALL CHECK AND
BALL FOOT VALVE
(Page 44 - 47)



Y-SEDIMENT STRAINER
(Page 48 - 49)

Tell: +86)020-82228060 Fax: +86)020-82226718
Contact: : Dennis Ding/丁劲嵩 +86)13922707985
Web: www.ren-xin.com Email: sales@ren-xin.com

To meet your specific requirements, Asahi AV Valves are made of wide variety of materials and are available in various types and sizes.

You are surely making the best choice for your systems when selecting Asahi AV products.



BALL VALVE
TYPE21
(Page 17 - 19)



3-WAY BALL VALVE
TYPE23
(Page 20 - 21)



3-WAY BALL VALVE
TYPE23H
(Page 22 - 23)



COMPACT BALL VALVE
(Page 24)



BUTTERFLY VALVE
TYPE57L(LUG STYLE)
(Page 32 - 33)



BUTTERFLY VALVE
TYPE55
(Page 34 - 35)



PDCPD BUTTERFLY VALVE
(Page 36 - 37)



ROTARY DAMPER
(Page 38 - 41)



DIAPHRAGM VALVE TYPE 14,
PNEUMATIC ACTUATED MODEL
(Page 50)



T.U. DIAPHRAGM VALVE TYPE 14,
PNEUMATIC ACTUATED MODEL
(Page 51)



AV GASKET
(Page 52-53)

Tell: +86)020-82228060 Fax: +86)020-82226718
Contact: Dennis Ding/丁劲嵩 +86)13922707985
Web: www.ren-xin.com Email: sales@ren-xin.com

Range of Nominal Size and Materials

Type			TRUE UNION DIAPHRAGM VALVE TYPE 14										
Body Materials			PVC		C-PVC		PP		PVDF				
End Connectors			Flanged		Threaded	Socket	Threaded	Socket	Threaded	Socket (welded)	Threaded	Socket (welded)*	Spigot*
Nominal Size	mm	inch											
	15	1/2	○	○	○	○	○	○	○	○	○	○	○
	20	3/4	○	○	○	○	○	○	○	○	○	○	○
	25	1	○	○	○	○	○	○	○	○	○	○	○
	32	1 1/4	○	○	○	○	○	○	○	○	○	○	○
	40	1 1/2	○	○	○	○	○	○	○	○	○	○	○
	50	2	○	○	○	○	○	○	○	○	○	○	○
	65	2 1/2	○	-	-	-	-	-	-	-	-	-	-
	80	3	○	-	-	-	-	-	-	-	-	-	-
100	4	○	-	-	-	-	-	-	-	-	-	-	

Type			DIAPHRAGM VALVE TYPE 15	
Body Materials			PVC, PP, PVDF	
End Connectors			Flanged	
Nominal Size	mm	inch		
	125	5	○	
	150	6	○	

Type			DIAPHRAGM VALVE TYPE 72	
Body Materials			PVC, PP, PVDF	
End Connectors			Flanged	
Nominal Size	mm	inch		
	200	8	○	
	250	10	○	

Type			BALL VALVE TYPE 21												
Body Materials			PVC			C-PVC			PP			PVDF			
End Connectors			Flanged	Threaded	Socket	Flanged	Threaded	Socket	Flanged	Threaded	Socket (welded)	Flanged	Threaded	Socket (welded)*	Spigot*
Nominal Size	mm	inch													
	15	1/2	○	○	○	○	○	○	○	○	○	○	○	○	○
	20	3/4	○	○	○	○	○	○	○	○	○	○	○	○	○
	25	1	○	○	○	○	○	○	○	○	○	○	○	○	○
	32	1 1/4	○	○	○	○	○	○	○	○	○	○	○	○	○
	40	1 1/2	○	○	○	○	○	○	○	○	○	○	○	○	○
	50	2	○	○	○	○	○	○	○	○	○	○	○	○	○
	65	2 1/2	○	○	○	○	○	○	○	○	○	○	○	○	○
	80	3	○	○	○	○	○	○	○	○	○	○	○	○	○
100	4	○	○	○	○	○	○	○	○	○	○	○	○	○	

Type	LAB COCK
Body Materials	PVC
End Connectors	Male Thread, Female Thread, Hose
Nominal Size	Male Thread 1/4 1/2
	Female Thread 1/4 3/8

Type			3-WAY BALL VALVE TYPE 23										COMPACT BALL VALVE					
Body Materials			PVC			C-PVC			PP		PVDF			PVC		C-PVC		
End Connectors			Flanged	Threaded	Socket	Flanged	Threaded	Socket	Threaded	Socket (welded)	Flanged	Threaded	Socket (welded)	Threaded	Socket	Threaded	Socket	
Nominal Size	mm	inch																
	13	3/8	-	-	-	-	-	-	-	-	-	-	-	-	○	○	○	○
	15	1/2	○	○	○	○	○	○	○	○	○	○	○	○	○	○	○	○
	20	3/4	○	○	○	○	○	○	○	○	○	○	○	○	○	○	○	○
	25	1	○	○	○	○	○	○	○	○	○	○	○	○	○	○	○	○
	32	1 1/4	-	-	-	-	-	-	-	-	-	-	-	○	○	○	○	
	40	1 1/2	○	○	○	○	○	○	○	○	○	○	○	○	○	○	○	○
	50	2	○	○	○	○	○	○	○	○	○	○	○	○	○	○	○	○
	65	2 1/2	-	-	-	-	-	-	-	-	-	-	-	-	-	-	-	-
80	3	○	○	○	○	○	○	○	○	○	○	○	○	○	○	○	○	
100	4	○	○	○	○	○	○	○	○	○	○	○	○	-	-	-	-	

Tell: +86)020-82228060 Fax: +86)020-82226718
 联络人: 丁劲嵩 13922707985
 Web: www.ren-xin.com Email: sales@ren-xin.com



Type		BUTTERFLY VALVE TYPE 57			BUTTERFLY VALVE TYPE 56		BUTTERFLY VALVE TYPE 75		BUTTERFLY VALVE TYPE 57L(Lug Style)		ROTARY DAMPER			BUTTERFLY VALVE TYPE 55	Type	PDCPD BUTTERFLY VALVE	
Body Materials		PVC	PP	PVDF	PP	PVDF	PP	PVDF	PDCPD	PVC	PVC (PP DISC)	PP	PVDF	FCD-S	Body Materials	PDCPD	
End Connectors		Wafer	Wafer	Wafer	Wafer	Wafer	Wafer	Wafer	Wafer	Wafer	Wafer	Wafer	Wafer	Wafer	Models	Wafer	
Nominal Size	mm	inch													mm	inch	
	40	1 1/2	○	○	○	-	-	-	-	-	○	○	○	-	700	28	○
	50	2	○	○	○	-	-	-	-	-	○	○	○	○	800	32	○
	65	2 1/2	○	○	○	-	-	-	-	-	○	○	○	○	850	34	○
	80	3	○	○	○	-	-	-	-	○	○	○	○	○	900	36	○
	100	4	○	○	○	-	-	-	-	○	○	○	○	○	1000	40	○
	125	5	○	○	○	-	-	-	-	-	○	○	○	○	1100	44	○
	150	6	○	○	○	-	-	-	-	○	○	○	○	○	1200	48	○
	200	8	○	○	○	-	-	-	-	-	○	○	○	○			
	250	10	○	○	○	-	-	-	-	-	○	○	○	○			
	300	12	○	○	○	-	-	-	-	-	○	○	○	○			
	350	14	○	○	○	-	-	-	-	-	○	○	○	○			
	400	16	-	-	-	○	○	-	-	-	-	○	○	-			
	450	18	-	-	-	-	-	○	○	-	-	○*	○	-			
500	20	-	-	-	-	-	○	○	-	-	○	○	-				
600	24	-	-	-	-	-	○	○	-	-	○	○	-				

Type		SWING CHECK VALVE			
Body Materials		HI-PVC	PP	PVDF	
End Connectors		Flanged	Flanged	Flanged	
Nominal Size	mm	inch			
	15	1/2	○	○	○
	20	3/4	○	○	○
	25	1	○	○	○
	32	1 1/4	○	○	○
	40	1 1/2	○	○	○
	50	2	○	○	○
	65	2 1/2	○	○	○
	80	3	○	○	○
	100	4	○	○	○
	125	5	○	○	○
150	6	○	○	○	
200	8	○	○	○	

Type		BALL CHECK VALVE AND BALL FOOT VALVE									
Body Materials		PVC			C-PVC			PP		PVDF	
End Connectors		Flanged	Threaded	Socket	Flanged	Threaded	Socket	Threaded	Socket (welded)	Threaded	Socket (welded)
Nominal Size	mm	inch									
	15	1/2	○	○	○	○	○	○	○	○	○
	20	3/4	○	○	○	○	○	○	○	○	○
	25	1	○	○	○	○	○	○	○	○	○
	32	1 1/4	-	-	-	-	-	-	-	-	-
	40	1 1/2	○	○	○	○	○	○	○	○	○
	50	2	○	○	○	○	○	○	○	○	○
	65	2 1/2	-	-	-	-	-	-	-	-	-
	80	3	○	○	○	○	○	○	○*	○	○
	100	4	○	○	○	○	○	○	○	○	○

Type		TRUE UNION BALL CHECK VALVE									
Body Materials		PVC			C-PVC			PP		PVDF	
End Connectors		Flanged	Threaded	Socket	Flanged	Threaded	Socket	Threaded	Socket (welded)	Threaded	Socket (welded)
Nominal Size	mm	inch									
	15	1/2	○	○	○	○	○	○	○	○	○
	20	3/4	○	○	○	○	○	○	○	○	○
	25	1	○	○	○	○	○	○	○	○	○
	32	1 1/4	-	-	-	-	-	-	-	-	-
	40	1 1/2	○	○	○	○	○	○	○	○	○
50	2	○	○	○	○	○	○	○	○	○	

Type		STRAINER(Y)			
Body Materials		PVC(Clear)			
End Connectors		Flanged	Threaded	Flanged	
Nominal Size	mm	inch			
	15	1/2	○	○	○
	20	3/4	○	○	○
	25	1	○	○	○
	32	1 1/4	-	-	-
	40	1 1/2	○	○	○
	50	2	○	○	○
	65	2 1/2	-	-	-
	80	3	○	○	○
100	4	○	○	○	

Tell: +86)020-82228060 Fax: +86)020-82226718
 联络人: 丁劲嵩 13922707985
 Web: www.ren-xin.com Email: sales@ren-xin.com



SWING CHECK VALVE 15mm - 200mm (1/2inch - 8inch)

FEATURES

- The SWING CHECK VALVE prevents backflow, thus protecting equipment, such as a pump.
- Being of a swing arm type, the valve gives little resistance to flow.
- The SWING CHECK VALVE is highly resistant to corrosive chemicals, acid and alkaline, because of its plastic construction.
- To maintain the SWING CHECK VALVE, only the bonnet lid has to be removed, without taking the body out of pipeline.



15mm (1/2inch), 20mm (3/4inch)



25mm (1inch) - 200mm (8inch)

MATERIAL AND WORKING TEMPERATURE RANGES

Body material	Working Temperature °C (°F)	Max. Working Pressure (at R.T.) MPa(kgf/cm²) [PSI]		
		15(1/2inch) - 80(3inch)	100(4inch) - 150(6inch)	200(8inch)
HI-PVC	0 - 50 (30 - 120)	1.0 {10.2} [150]	0.7 {7.1} [100]	0.5 {5.1} [70]
PP	-20 - 80 (-5 - 175)	1.0 {10.2} [150]	0.7 {7.1} [100]	0.5 {5.1} [70]
PVDF	-20 - 100 (-5 - 210)	1.0 {10.2} [150]	0.7 {7.1} [100]	0.5 {5.1} [70]

PARTS & MATERIALS O-ring Type

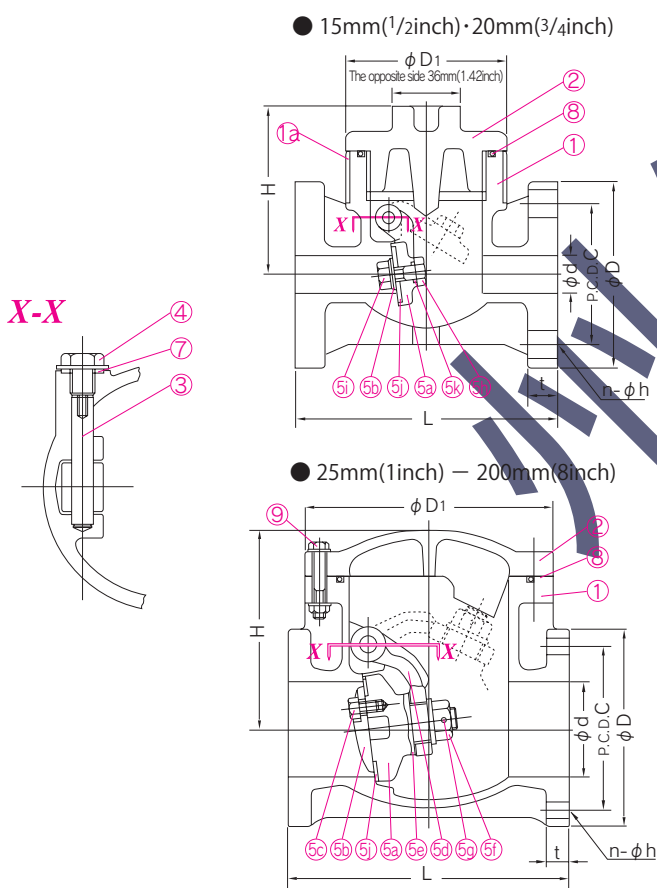
● PP

No.	DESCRIPTION	Pcs.	MATERIAL	REMARKS
①	BODY	1	PP	
②	BONNET	1	PP	
③	SHAFT	1	PP	
④	PLUG	1	PP	
⑤	⑤a DISC	1	PVDF	
	⑤b SEAT HOLDER	1	PP	
	⑤c BOLT(A)	—	PP	Used for Size 25~200mm
	⑤d ARM	1	PP	Used for Size 25~200mm
	⑤e WASHER	1	PP	Used for Size 25~200mm
	⑤f NUT(A)	1	PVDF	Used for Size 25~200mm
	⑤g PIN	1	PVDF	In Case Material is PVDF, Used for Size 65~200mm
	⑤h BOLT(B)	1	PP	Used for Size 15,20mm
	⑤i NUT(B)	1	PP	Used for Size 15,20mm
	⑤j SEAT	1	GASKET, SEAT, O-RING(A)/O-RING(B)	
⑤k O-RING(A)	1		Used for Size 15,20mm	
⑦	GASKET(B)	1	EPDM/EPDM Others/Others	
⑧	O-RING(B)	1	PTFE/FKM-F PTFE/FKM-C	
⑨	BOLT·NUT	—	STAINLESS STEEL(SUS304)	Used for Size 25~200mm
⑩a	BODY RING	—	STAINLESS STEEL(SUS304)	Used for Size 15,20mm

Note: 1) ⑩a Body-ring is available for PP Body 15mm (1/2inch) · 20mm (3/4inch).

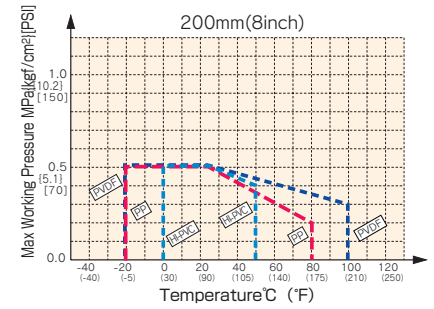
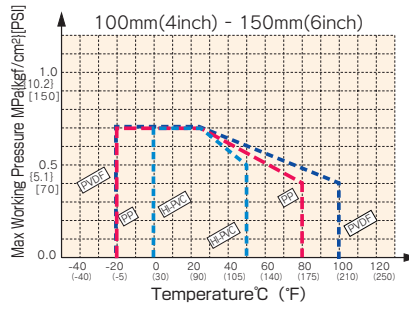
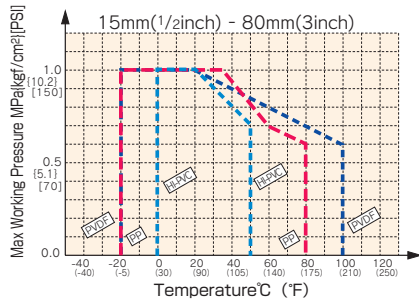
● HI-PVC, PVDF

No.	DESCRIPTION	Pcs.	MATERIAL	REMARKS
①	BODY	1	HI-PVC, PVDF	
②	BONNET	1	HI-PVC, PVDF	
③	SHAFT	1	HI-PVC, PVDF	
④	PLUG	1	HI-PVC, PVDF	
⑤	⑤a DISC	1	HI-PVC, PVDF	
	⑤b SEAT HOLDER	1	HI-PVC, PVDF	
	⑤c BOLT(A)	—	HI-PVC, PVDF	Used for Size 25~200mm
	⑤d ARM	1	HI-PVC, PVDF	Used for Size 25~200mm
	⑤e WASHER	1	HI-PVC, PVDF	Used for Size 25~200mm
	⑤f NUT(A)	1	HI-PVC, PVDF	Used for Size 25~200mm
	⑤g PIN	1	HI-PVC, PVDF	In Case Material is PVDF, Used for Size 65~200mm
	⑤h BOLT(B)	1	HI-PVC, PVDF	Used for Size 15,20mm
	⑤i NUT(B)	1	HI-PVC, PVDF	Used for Size 15,20mm
	⑤j SEAT	1	GASKET, SEAT, O-RING(A)/O-RING(B)	
⑤k O-RING(A)	1		Used for Size 15,20mm	
⑦	GASKET(B)	1	EPDM/EPDM Others/Others PTFE/PFA※	※FKM Covered at PFA
⑧	O-RING(B)	1	PTFE/FKM-F PTFE/FKM-C	
⑨	BOLT·NUT	—	STAINLESS STEEL(SUS304)	Used for Size 25~200mm



WORKING PRESSURE VS. TEMPERATURE

SWING CHECK VALVE O-ring Type



DIMENSIONS TABLE

DIN		Unit:mm										
Nominal Size		d	DIN PN10				D ₁	L	t			H
mm	inch		D	C	n	h			HI-PVC	PP	PVDF	
15	1/2	20	95	65	4	14	86	140	15	15	15	87
20	3/4	20	105	75	4	14	86	140	15	15	15	87
25	1	25	115	85	4	14	130	160	16	16	16	117
32	1 1/4	40	140	100	4	18	145	180	18	17	18	135
40	1 1/2	40	150	110	4	18	145	180	18	17	18	135
50	2	50	165	125	4	18	180	200	20	20	21	161
65	2 1/2	65	185	145	4	18	200	240	22	22	23	165
80	3	80	200	160	8	18	205	260	22	22	23	168
100	4	100	220	180	8	18	265	300	24	24	26	210
125	5	125	250	210	8	18	330	350	24	25	26	245
150	6	150	285	240	8	22	370	400	25	26	27	280
200	8	200	340	295	8	22	425	500	30	31	33	333

ANSI		Unit:inch										
Nominal Size		d	ANSI CLASS 150				D ₁	L	t			H
inch	mm		D	C	n	h			HI-PVC	PP	PVDF	
1/2	15	0.79	3.50	2.38	4	0.62	3.39	5.51	0.59	0.59	0.59	3.43
3/4	20	0.79	3.88	2.75	4	0.62	3.39	5.51	0.59	0.59	0.59	3.43
1	25	0.98	4.25	3.12	4	0.62	5.12	6.30	0.63	0.63	0.63	4.61
1 1/4	32	—	—	—	—	—	—	—	—	—	—	—
1 1/2	40	1.57	5.00	3.88	4	0.62	5.71	7.09	0.71	0.67	0.71	5.32
2	50	1.97	6.00	4.75	4	0.75	7.09	7.87	0.79	0.79	0.83	6.34
2 1/2	65	2.56	7.00	5.50	4	0.75	7.87	9.45	0.87	0.87	0.91	6.50
3	80	3.15	7.50	6.00	4	0.75	8.07	10.24	0.87	0.87	0.91	6.62
4	100	3.94	9.00	7.50	8	0.75	10.43	11.81	0.94	0.94	1.02	8.27
5	125	4.92	10.00	8.50	8	0.88	12.99	13.78	0.94	0.98	1.02	9.65
6	150	5.91	11.00	9.50	8	0.88	14.57	15.75	0.98	1.02	1.06	11.03
8	200	7.87	13.50	11.75	8	0.88	16.73	19.69	1.18	1.22	1.30	13.11

* Important: The swing check valve can be used in both vertical and horizontal pipelines. However, when installing the valve, be sure to make the direction of the arrow embossed on the valve agree with that of flow.

* Swing check valves 15mm(1/2inch) and 30mm(1 1/4inch) mm in nominal size are made out of those in 20mm(3/4inch) and 40mm(1 1/2inch) in nominal size, respectively.

Note : For pressure limits by fluid temperature ranges and materials, see "WORKING PRESSURE VS. TEMPERATURE" in this catalog.

BALL CHECK AND BALL FOOT VALVE 15mm - 100mm(1/2inch - 4inch)

● SINGLE UNION BALL CHECK VALVE



FEATURES

■ Backflow Prevention

The valves prevent backflow in horizontal or vertical lines. They require minimal back pressure to seat completely.

■ Compact and Light

The BALL CHECK and BALL FOOT VALVES are so compact and light that they can be installed in a limited space. They are also easy to maintain, because of minimal internal parts.

■ NSF Product

NSF("NSF/ANSI STANDARD 61" Drinking Water System Components-Health Effects)Product.

:Ball CHECK VALVE (Material:PVC+EPDM,FKM)

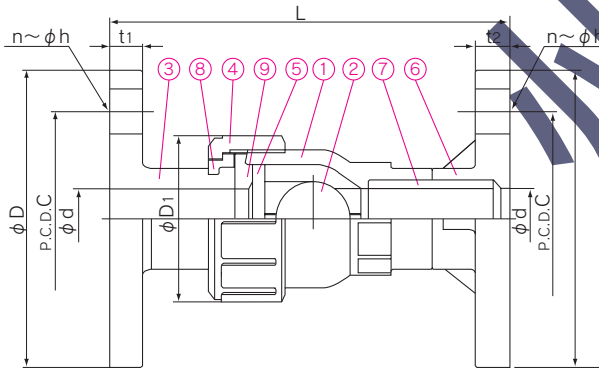
*Certified products bear an NSF Certification Mark.

SPECIFICATIONS

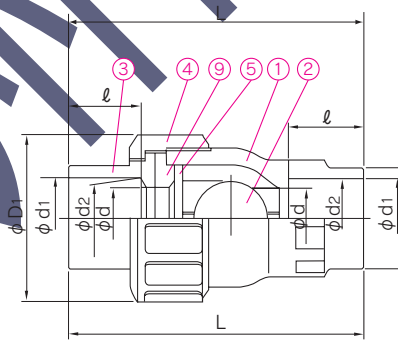
Body material	Unplasticized Polyvinyl Chloride(PVC), Chlorinated Polyvinyl Chloride(C-PVC) Polyvinylidene Fluoride(PVDF), Polypropylene(PP)
End Connectors	Socket End, Threaded End, Flanged End
Nominal Size	15mm(1/2inch) - 100mm(4inch)
Working Temperature	PVC:0°C - 50°C(30°F - 120°F) C-PVC:0°C - 90°C(30°F - 195°F) PVDF: -20°C - 100°C(-5°F - 210°F) PP:-20°C - 80°C(-5°F - 175°F)
Max. Working Pressure	1.0MPa{10.2kgf/cm ² }[150PSI](at R.T).....15mm(1/2inch) - 50mm(2inch) 0.7MPa{7.1kgf/cm ² }[100PSI](at R.T).....80mm(3inch) - 100mm(4inch)

DIMENSIONS

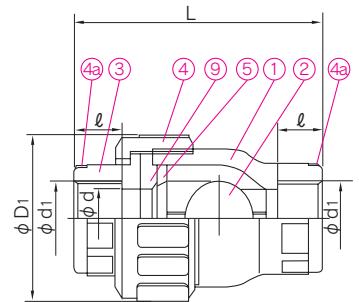
● FLANGED END



● SOCKET END

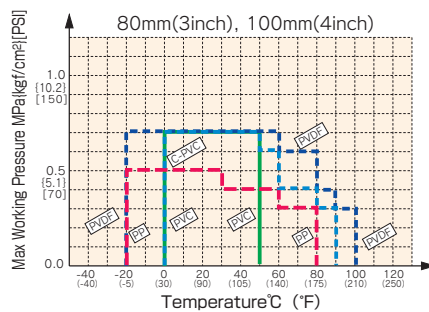
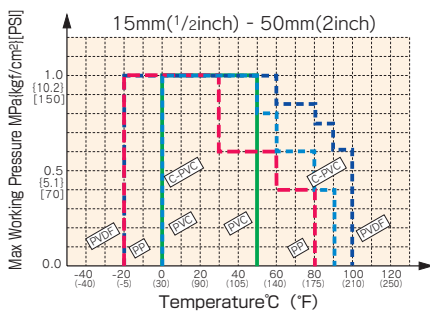


● THREADED END



WORKING PRESSURE VS. TEMPERATURE

BALL CHECK VALVE



PARTS & MATERIALS

No.	DESCRIPTION	Pcs.	MATERIAL
①	BODY	1	PVC, C-PVC, PP, PVDF
②	BALL	1	PVC, C-PVC, PP, PVDF
③	END CONNECTOR	1	PVC, C-PVC, PP, PVDF
④	UNION NUT	1	PVC, C-PVC, PP, PVDF
⑤	STOP RING(A)	1	PVC, C-PVC, PP, PVDF
⑥	TS FLANGE ²⁾	1	PVC, C-PVC
⑦	PIPE ²⁾	1	PVC, C-PVC
⑧	STOP RING(B) ²⁾	1	PVDF
⑨	SEAT	1	EPDM,FKM,Others
④a	RING ¹⁾	1	STAINLESS STEEL304

Note :

1):used for C-PVC Body, threaded end
15mm(1/2inch) - 25mm(1inch)

2):used for Flanged End

3):DIN Flanged End is not available.

* By replacing some of its parts, the ball check valve can be switched to the ball foot valve, with a slight change in dimensions.

DIMENSIONS TABLE

JIS Unit:mm

Nominal Size		d	D ₁	Flanged End										t ₁	t ₂
				JIS 5K				JIS 10K				L			
mm	inch			D	C	n	h	D	C	n	h	PVC,C-PVC	PVDF		
15	1/2	15	48	80	60	4	12	95	70	4	15	131	135	12	14
20	3/4	20	60	85	65	4	12	100	75	4	15	156	156	14	15
25	1	25	70	95	75	4	12	125	90	4	19	169	167	14	15
40	1 1/2	40	96	120	95	4	15	140	105	4	19	214	200	16	16
50	2	51	106	130	105	4	15	155	120	4	19	244	224	16	20
80	3	78	152	180	145	4	19	185	150	8	19	310	291	18	22
100	4	100	210	200	165	8	19	210	175	8	19	397	363	18	22

Nominal Size		Socket End							Threaded End					
		PVC,C-PVC				PP			JIS B 0203		L			
mm	inch	d ₁	ℓ	1/T	L	d ₁	d ₂	ℓ	L	d ₁	ℓ	U-PVC,C-PVC	PP,PVDF	
15	1/2	22.11	20	1/34	89	21.2	20.2	22	93	Rc 1/2	15	80	78	
20	3/4	26.13	24	1/34	106	26.2	25.2	23	104	Rc 3/4	17	95	92	
25	1	32.16	27	1/34	117	33.0	32.0	25	113	Rc 1	20	105	102	
40	1 1/2	48.21	37	1/37	162	47.0	46.0	28	144	Rc 1 1/2	25	141	137	
50	2	60.25	42	1/37	189	59.0	58.0	28	162	Rc 2	28	164	160	
80	3	89.60	64	1/49	277	88.0	86.0	35	219	Rc 3	35	222	216	
100	4	114.70	84	1/56	376	113.0	111.0	45	298	Rc 4	45	308	301	

DIN Unit:mm

Nominal Size		d	D ₁	Socket End						Threaded End				
				PVC, C-PVC			PP,PVDF			DIN 2999				
				DIN 8063		L	DIN 16962			L	d ₁	ℓ	L	
mm	inch	d ₁	ℓ	L	d ₁	d ₂	ℓ	L	d ₁	ℓ	U-PVC,C-PVC	PP,PVDF		
15	1/2	15	48	20	16	81	19.50	19.30	14	78	Rc 1/2	15	80	78
20	3/4	20	60	25	19	96	24.50	24.30	16	90	Rc 3/4	17	95	92
25	1	25	70	32	22	107	31.50	31.30	18	99	Rc 1	20	105	102
40	1 1/2	40	96	50	31	150	49.45	49.20	23	135	Rc 1 1/2	25	141	137
50	2	51	106	63	38	181	62.50	62.10	27	160	Rc 2	28	164	160
80	3	78	152	90	51	248	89.20	88.85	35	217	Rc 3	35	222	216
100	4	100	210	110	61	330	109.05	108.65	41	291	Rc 4	45	308	301

ANSI Unit:inch

Nominal Size		d	D ₁	Flanged End								Socket End					Threaded End						
				ANSI Class 150				L				PVC, C-PVC				PVDF, PP	ANSI/ASME B 1.20.1		L				
				D	C	n	h	PVC	PVDF	t ₁	t ₂	ASTM SCH40		L	d ₁	d ₂	ℓ	L	d ₁	ℓ	PVC	PP,PVDF	
inch	mm																						
1/2	15	0.59	1.89	3.50	2.38	4	0.63	5.16	5.31	0.47	0.55	0.848	0.836	0.688	3.35	0.825	—	0.874	3.82	1/2-14 NPT	0.59	3.15	3.07
3/4	20	0.79	2.36	3.86	2.75	4	0.63	6.14	6.14	0.55	0.59	1.058	1.046	0.719	3.74	1.030	—	1.000	4.41	3/4-14 NPT	0.67	3.74	3.62
1	25	0.98	2.76	4.25	3.12	4	0.63	6.65	6.57	0.55	0.59	1.325	1.310	0.875	4.33	1.300	—	1.126	4.88	1-11 1/2 NPT	0.79	4.13	4.02
1 1/2	40	1.57	3.78	5.00	3.88	4	0.63	8.43	7.87	0.63	0.63	1.912	1.894	1.094	5.71	1.890	—	1.374	5.79	1 1/2-11 1/2 NPT	0.98	5.55	5.39
2	50	2.01	4.17	5.98	4.75	4	0.75	9.61	8.82	0.63	0.79	2.387	2.369	1.156	6.50	2.360	—	1.500	6.89	2-11 1/2 NPT	1.10	6.46	6.30
3	80	3.07	5.98	7.52	6.00	4	0.75	12.20	11.46	0.71	0.87	3.516	3.492	1.875	9.57	3.480	—	1.874	9.57	3-8 NPT	1.38	8.74	8.50
4	100	3.94	8.27	9.02	7.50	8	0.75	15.63	14.29	0.71	0.87	4.518	4.491	2.000	12.20	4.480	—	2.252	12.68	4-8 NPT	1.77	12.13	11.85

Note : The shape and appearance of the valve differ a little with nominal size compared to the drawing.

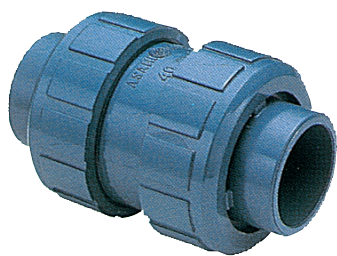
The measurement of the minimum pressure for opening & closing the valve with air or gas on Asahi Ball Check Valve.

UNIT:MPa{kgf/cm²}

Test Items		Vertical Piping				Horizontal Piping			
Nominal Size		Min. Air Pressure to open the valve		Min. Air Pressure to shut the Disc perfectly		Min. Air Pressure to open the valve		Min. Air Pressure to shut the Disc perfectly	
mm	inch								
15	1/2	0.005{0.05}		0.02 {0.2}		0.001{0.01}		0.02 {0.2}	
20	3/4	0.005{0.05}		0.03 {0.3}		0.001{0.01}		0.03 {0.3}	
25	1	0.005{0.05}		0.03 {0.3}		0.001{0.01}		0.03 {0.3}	
40	1 1/2	0.01 {0.1}		0.03 {0.3}		0.002{0.02}		0.03 {0.3}	
50	2	0.01 {0.1}		0.03 {0.3}		0.002{0.02}		0.03 {0.3}	
80	3	0.01 {0.1}		0.02 {0.2}		0.002{0.02}		0.02 {0.2}	
100	4	0.01 {0.1}		0.02 {0.2}		0.002{0.02}		0.02 {0.2}	

● TRUE UNION BALL CHECK VALVE

15mm(1/2inch) – 50mm(2inch)



FEATURES

The valve body can be removed from the pipe line by loosening the union nuts at its both ends.

● NSF Product

NSF("NSF/ANSI STANDARD 61" Drinking Water System Components-Health Effects)Product.

:TRUE UNION BALL CHECK VALVE (Material:PVC+EPDM,FKM)

*Certified products bear an NSF Certification Mark.

SPECIFICATIONS

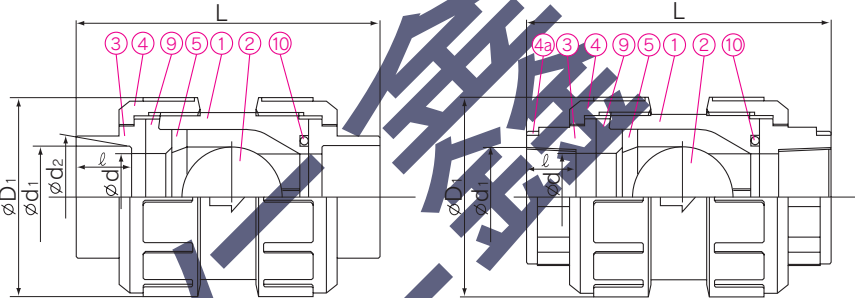
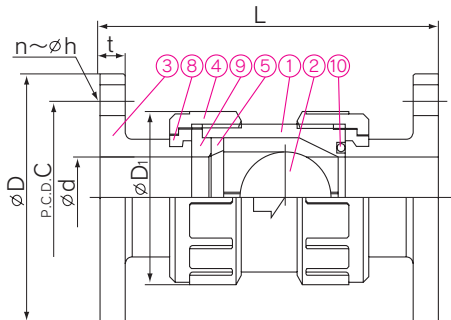
Body material	Unplasticized Polyvinyl Chloride(PVC), Chlorinated Polyvinyl Chloride(C-PVC) Polyvinylidene Fluoride(PVDF)
End Connectors	Socket End, Threaded End, Flanged End
Nominal Size	15mm(1/2inch) - 50mm(2inch)

DIMENSIONS

● FLANGED END

● SOCKET END

● THREADED END



PARTS & MATERIALS

No.	DESCRIPTION	Pcs.	MATERIAL
①	BODY	1	PVC,C-PVC,PP,PVDF
②	BALL	1	PVC,C-PVC,PP,PVDF
③	END CONNECTOR	2	PVC,C-PVC,PP,PVDF
④	UNION NUT	2	PVC,C-PVC,PP,PVDF
⑤	STOP RING(A)	1	PVC,C-PVC,PP,PVDF
⑧	STOP RING(B) 2)	2	PVDF
⑨	SEAT	1	EPDM,FKM,Others
⑩	O-RING	1	EPDM,FKM,Others
⑬	RING 1)	2	STAINLESS STEEL304

Note:
 1):used for C-PVC body, threaded end
 15mm(1/2inch) - 25mm(1inch)
 2):used for flanged end

DIMENSIONS TABLE

Nominal Size		d	D ₁	Flanged End							Socket End							Threaded End			
mm	inch			DIN PN10				L			PVC, C-PVC			PVDF,PP				DIN 2999		L	
				D	C	n	h	PVC C-PVC	PP PVDF	t	DIN 8063	L	DIN 16962			d ₁	ℓ	PVC C-PVC	PP PVDF		
15	1/2	15	48	95	65	4	14	130	128	12	20	16	84	19.50	19.30	14	79	R 1/2	15	86	83
20	3/4	20	60	105	75	4	14	155	154	14	25	19	100	24.50	24.30	16	93	R 3/4	17	103	98
25	1	25	70	115	85	4	14	165	163	14	32	22	113	31.50	31.30	18	103	R 1	20	113	109
40	1 1/2	40	96	150	110	4	18	192	190	16	50	31	158	49.45	49.20	23	141	R 1/2	25	151	147
50	2	51	106	165	125	4	18	214	211	16	63	38	190	62.50	62.10	27	167	R 2	28	177	171

Nominal Size		d	D ₁	Flanged End							Socket End(IPS)							Threaded End				
inch	mm			ANSI Class 150				L			PVC, C-PVC			PVDF, PP				ANSI/ASME B1.20.1		L		
				D	C	n	h	PVC C-PVC	PP PVDF	t ₁	ASTM SCH40			d ₁	d ₁ '	ℓ	L	d ₁	ℓ	PVC C-PVC	PP PVDF	
1/2	15	0.59	1.89	3.50	2.38	4	0.62	5.12	5.04	0.47	0.848	0.836	0.688	3.43	0.831	—	0.630	3.23	1/2-14 NPT	0.59	3.39	3.27
3/4	20	0.79	2.36	3.88	2.75	4	0.62	6.10	6.06	0.55	1.058	1.046	0.719	3.86	1.041	—	1.000	4.37	3/4-14 NPT	0.67	4.06	3.86
1	25	0.98	2.76	4.25	3.12	4	0.62	6.50	6.42	0.55	1.325	1.310	0.875	4.37	1.305	—	0.827	4.29	1-11 1/2 NPT	0.79	4.45	4.29
1 1/2	40	1.57	3.78	5.00	3.88	4	0.62	7.56	7.48	0.63	1.912	1.894	1.094	5.94	1.889	—	1.260	6.22	1 1/2-11 1/2 NPT	0.98	5.94	5.79
2	50	2.01	4.17	6.00	4.75	4	0.75	8.43	8.31	0.63	2.387	2.369	1.156	6.77	2.364	—	1.260	6.93	2-11 1/2 NPT	1.10	6.97	6.73

● BALL FOOT VALVE



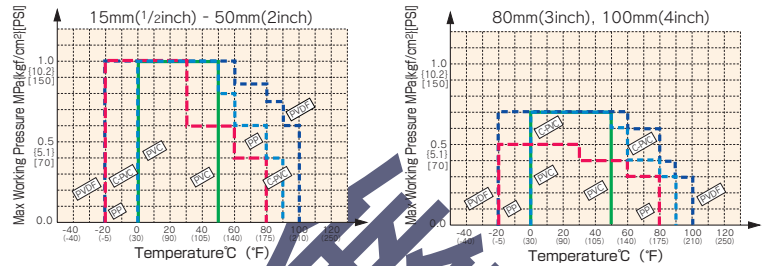
SPECIFICATIONS

Body material	Unplasticized Polyvinyl Chloride(PVC), Chlorinated Polyvinyl Chloride(C-PVC) Polyvinylidene Fluoride(PVDF), Polypropylene(PP)
End Connectors	Socket End, Threaded End, Flanged End
Nominal Size	15 mm(1/2inch) - 100 mm(4inch)
Working Temperature	PVC:0°C - 50°C(30°F - 120°F) C-PVC:0°C - 90°C(30°F - 195°F) PVDF:-20°C - 100°C(-5°F - 210°F) PP:-20°C - 80°C(-5°F - 175°F)
Max. Working Pressure	1.0MPa{10.2kgf/cm ² }[150PSI](at R.T).....15mm(1/2inch) - 50mm(2inch) 0.7MPa{7.1kgf/cm ² }[100PSI](at R.T).....80mm(3 inch) - 100mm(4inch)

R.T.:Room Temperature

WORKING PRESSURE VS. TEMPERATURE

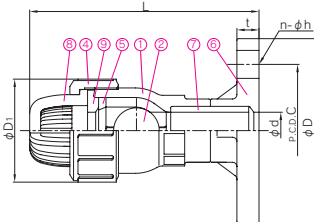
BALL FOOT VALVE



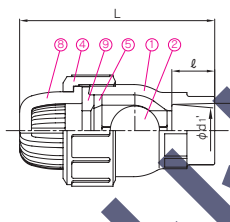
DIMENSIONS

PARTS & MATERIALS

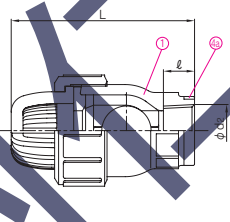
FLANGED END



SOCKET END



THREADED END



No.	DESCRIPTION	QTY.	MATERIAL
①	BODY	1	PVC,C-PVC,PP,PVDF
②	BALL	1	PVC,C-PVC,PP,PVDF
④	UNION NUT	1	PVC,C-PVC,PP,PVDF
⑤	STOP RING(A)	1	PVC,C-PVC,PP,PVDF
⑥	FLANGE 2)	1	PVC,C-PVC
⑦	PIPE 2)	1	PVC,C-PVC
⑧	SCREEN	1	PVC,C-PVC,PP,PVDF
⑨	SEAT	1	EPDM,FKM,Others
⑩	RING 1)	1	STAINLESS STEEL (SUS304)

Note :

1):Used for C-PVC body, threaded end 15mm(1/2inch) - 25mm(1inch)

2):Used for Flanged End

DIMENSIONS TABLE

DIN		Unit:mm											
Nominal Size	D ₁	Socket End								Threaded End			
		PVC, C-PVC			PP, PVDF					d ₂	ℓ	L	
mm	inch	d ₁	ℓ	L	d ₁	d ₁ '	ℓ	L	PVC C-PVC			PVDF PP	
15	1/2	48	20	16	91	19.50	19.30	14.5	89	Rp 1/2	15	90	88
20	3/4	60	25	19	105	24.50	24.30	16	101	Rp 3/4	17	103	101
25	1	70	32	22	116	31.50	31.30	18	111	Rp 1	20	114	111
40	1 1/2	96	50	31	178	49.45	49.20	23.5	169	Rp 1 1/2	25	172	169
50	2	106	63	38	199	62.50	62.10	27.5	187	Rp 2	28	189	184
80	3	152	90	51	310	89.20	88.85	35.5	293	Rp 3	35	294	288
100	4	210	110	61	390	109.05	108.65	41.5	368	Rp 4	45	374	366

ANSI		Unit:mm																
Nominal Size	d	D ₁	Flanged End							Socket End				Threaded End				
			D	C	n	h	L	t	d ₁	d ₁ '	ℓ	L	d ₂	ℓ	L			
inch	mm	PVC C-PVC	PVDF															
1/2	15	0.71	1.89	3.50	2.38	4	0.62	5.55	4.65	0.47	0.848	0.836	0.69	3.74	1/2- 14 NPT	0.59	3.54	3.46
3/4	20	0.87	2.36	3.86	2.76	4	0.62	6.42	5.24	0.51	1.058	1.046	0.72	4.17	3/4- 14 NPT	0.67	4.06	3.98
1	25	0.98	2.76	4.25	3.13	4	0.62	6.73	5.75	0.59	1.325	1.310	0.87	4.76	1- 11 1/2 NPT	0.79	4.49	4.37
1 1/2	40	1.61	3.78	5.00	3.88	4	0.62	9.80	8.15	0.63	1.912	1.894	1.09	6.97	1 1/2- 11 1/2 NPT	0.98	6.77	6.65
2	50	2.05	4.17	5.98	4.74	4	0.75	10.91	8.86	0.79	2.387	2.369	1.16	7.60	2- 11 1/2 NPT	1.10	7.44	7.24
3	80	3.07	5.98	7.52	6.00	4	0.75	16.10	13.23	0.87	3.516	3.492	1.87	12.09	3- 8 NPT	1.38	11.57	11.34
4	100	3.94	8.27	9.02	7.50	8	0.75	20.41	16.34	0.87	4.518	4.491	2.00	14.96	4- 8 NPT	1.77	14.72	14.41

Y-SEDIMENT STRAINER 15mm - 100mm(1/2inch - 4inch)



Note : Volatile liquids such as a hydrogen peroxide (H₂O₂) and sodium hypochlorite (NaClO) medium, may vaporize, thus causing an abnormal pressure increase in the valve. (Important: Gas is compressible. Thus if its pressure rises abnormally, gas may break a valve into pieces, which in turn violently scatter in all

- Store the Sediment Strainer in an indoor place free of direct sunlight.
- Do not store the Sediment Strainer in a hot place.
- Install the Sediment Strainer in a place free of direct sunlight.

FEATURES

- Because of its plastic body, the sediment STRAINER (Y) is highly corrosion chemical and wear resistant.
- The body is transparent, so that flow through the STRAINER can easily be checked.
- The sediment STRAINER is easy to disassemble and reassemble to clean or replace its screen.

NSF Product

NSF("NSF/ANSI STANDARD 61" Drinking Water System Components-Health Effects)Product.

:Y-SEDIMENT STRAINER TYPE-Y (Material:PVC+EPDM,FKM)

*Certified products bear an NSF Certification Mark.

SPECIFICATIONS

Body material	Unplasticized Polyvinyl Chloride (PVC) (The body is only made of transparent PVC.)
Nominal Size	15mm(1/2inch),20mm(3/4inch),25mm(1inch),40mm(1 1/2inch), 50mm(2inch),80mm(3inch),100mm(4inch)
End Connectors	Socket End, Threaded End, Flanged End
Working Temperature	0 - 50°C (30° F - 120° F)
Mesh	20 mesh (30,40 & 60 Mesh Available)
Max. Working Pressure	1.0MPa{10.2kgf/cm ² }[150PSI]...15 - 50mm(1/2inch - 2inch) 0.6MPa{6.1kgf/cm ² }[85PSI] ...80、100mm(3inch - 4inch)

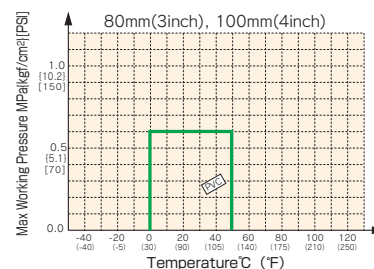
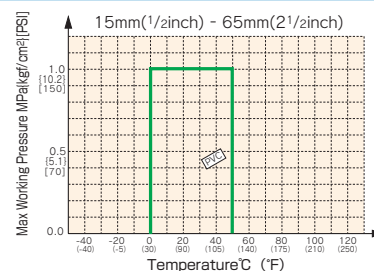
PARTS & MATERIALS

No.	DESCRIPTION	Pcs.	MATERIAL
①	BODY	1	PVC
②	FILTER SCREEN	1	PVC,PVDC
③	SCREEN SUPPORT	1	PVC
④	END CONNECTOR	2	PVC
⑤	UNION NUT	3	PVC
⑥	RETAINING RING	1	PVC
⑦	SPLIT RING	1	PVC
⑧	O-RING(A)	2	EPDM,FKM,Others
⑨	O-RING(B)	1	EPDM,FKM,Others
⑩	STOP RING ¹⁾	2	PVDF

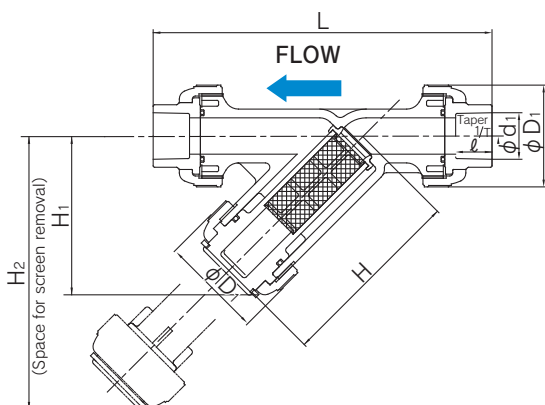
1) Used for Flanged End

WORKING PRESSURE VS. TEMPERATURE

STRAINER(Y)



DIMENSIONS (Socket End)

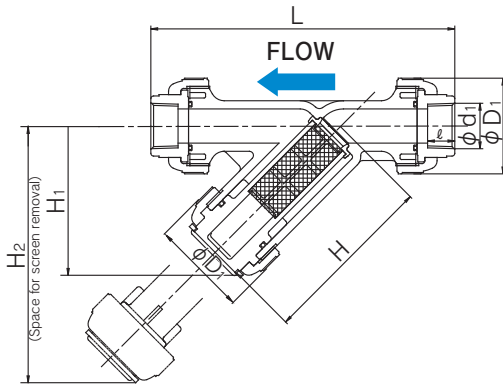


DIMENSIONS TABLE (Socket End)

DIN 8063		Unit:mm						
Nominal Size	d	d ₁	ℓ	D ₁	L	H	H ₁	
mm	inch							
15	1/2	15	20	16	48	165	97	78
20	3/4	20	25	19	60	201	120	98
25	1	25	32	22	70	224	133	111
40	1 1/2	40	50	31	96	228	177	149
50	2	51	63	38	106	337	190	160
80	3	78	90	51	152	457	271	234
100	4	100	110	61	210	607	361	316

ANSI ASTM SCH80		Unit:inch							
Nominal Size	d	d ₁	ℓ	D ₁	L	H	H ₁	H ₂	
inch	mm								
1/2	15	0.59	0.848	0.87	1.89	6.93	3.82	3.07	5.23
3/4	20	0.79	1.058	1.00	2.36	8.30	4.72	3.86	6.55
1	25	0.98	1.325	1.12	2.76	9.37	5.24	4.37	7.37
1 1/2	40	1.57	1.912	1.38	3.93	12.13	6.97	5.87	9.98
2	50	2.01	2.387	1.50	4.17	13.31	7.48	6.29	10.80
3	80	3.07	3.516	1.87	5.98	17.83	10.67	9.21	15.59
4	100	3.94	4.518	2.25	8.27	23.54	14.21	12.44	20.94

DIMENSIONS (Threaded End)

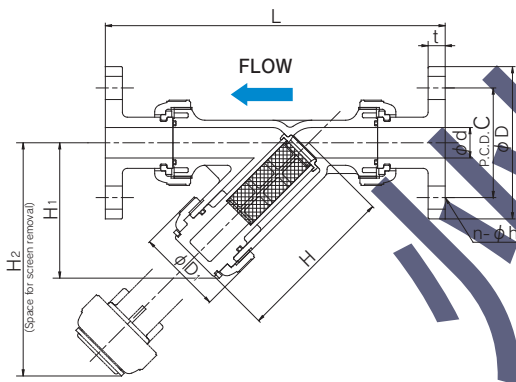


DIMENSIONS TABLE (Threaded End)

DIN 2999		Unit:mm							
Nominal Size		d	d ₁	ℓ	D ₁	L	H	H ₁	H ₂
mm	inch								
15	1/2	15	Rc 1/2	15	48	165	97	78	134
20	3/4	20	Rc 3/4	17	60	202	120	98	168
25	1	25	Rc 1	20	70	224	133	111	189
40	1 1/2	40	Rc 1 1/2	25	96	287	177	149	256
50	2	51	Rc 2	28	106	324	190	160	277
80	3	78	Rc 3	35	152	436	271	234	399
100	4	100	Rc 4	45	210	596	361	316	537

ANSI/ASME B1.20.1		Unit:inch							
Nominal Size		d	d ₁	ℓ	D ₁	L	H	H ₁	H ₂
inch	mm								
1/2	15	0.59	NPT 1/2	0.59	1.89	6.50	3.82	3.07	5.23
3/4	20	0.79	NPT 3/4	0.67	2.36	7.95	4.72	3.86	6.55
1	25	0.98	NPT 1	0.79	2.76	8.82	5.24	4.37	7.37
1 1/2	40	1.57	NPT 1 1/2	0.98	3.94	11.30	6.97	5.87	9.98
2	50	2.01	NPT 2	1.10	4.17	12.76	7.48	6.30	10.80
3	80	3.07	NPT 3	1.38	5.98	17.17	10.67	9.21	15.59
4	100	3.94	NPT 4	1.77	8.27	23.47	14.21	12.44	20.94

DIMENSIONS (Flanged End)



DIMENSIONS TABLE (Flanged End)

DIN 2501		Unit:mm									
Nominal Size		d	C	D	n	h	D ₁	L	H	H ₁	H ₂
mm	inch										
15	1/2	15	65	95	4	14	48	193	97	78	134
20	3/4	20	75	105	4	14	60	232	120	98	168
25	1	25	85	115	4	14	70	253	133	111	189
40	1 1/2	40	110	150	4	18	96	324	177	149	256
50	2	51	125	165	4	18	106	361	190	160	277
80	3	78	160	200	8	18	152	483	271	234	399
100	4	100	180	220	8	18	210	608	361	316	537

ANSI 150 lbs.		Unit:inch									
Nominal Size		d	C	D	n	h	D ₁	L	H	H ₁	H ₂
inch	mm										
1/2	15	0.59	2.38	3.50	4	0.63	1.89	8.11	3.82	3.07	5.23
3/4	20	0.79	2.76	3.86	4	0.63	2.36	10.00	4.72	3.86	6.55
1	25	0.98	3.13	4.25	4	0.63	2.76	11.02	5.24	4.37	7.37
1 1/2	40	1.57	3.88	5.00	4	0.63	3.94	13.23	6.97	5.87	9.98
2	50	2.01	4.47	5.98	4	0.75	4.17	14.21	7.48	6.30	10.80
3	80	3.07	6.00	7.52	4	0.75	5.98	18.78	10.67	9.21	15.59
4	100	3.94	7.50	9.02	8	0.75	8.27	23.94	14.21	12.44	20.94

Recommendations for use

- Observe flow direction before installation. (Direction arrow mark is embossed on body.)
- Screen should be cleaned periodically.
- Avoid direct sunlight.
- Caution : the following, chemicals such as Hydrogen Peroxide (H₂O₂). Sodium Hypochlorite(NaClO) are capable of generating will cause the abnormal pressure due to their vaporization nature.

AV GASKET



Full face Type Rubber Gasket



Ring Type Gasket (JIS only)



PTFE coated



PVDF coated

● MATERIAL : EPDM, PTFE, PVDF, CSM, FKM, IIR, Viton F, C

FEATURES

- AV GASKETS offer Similar sealing performance with 1/3 bolt tightening torque, compared to flat or envelope style gaskets.
- Uniform dimension, fine surface, suitable hardness.
- Long service life.
- Unique Convex Design.

SPECIFICATIONS

Material	Working Temperature	SIZE AVAILABILITY BY STANDARD		
		JIS	ANSI	DIN
EPDM	-40°C - 90°C (-40°F - 195°F)	15mm - 350mm	1/2inch - 16inch *1	15mm - 350mm
PTFE	-40°C - 120°C (-40°F - 250°F)	15mm - 300mm	1/2inch - 12inch	15mm - 300mm
PVDF	-40°C - 120°C (-40°F - 250°F)	15mm - 300mm	1/2inch - 10inch *2	15mm - 300mm
VIFLON	-5°C - 150°C (-5°F - 280°F)	15mm - 200mm	—	—

Working temperature is different depending on type of fluid.

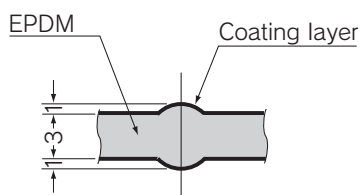
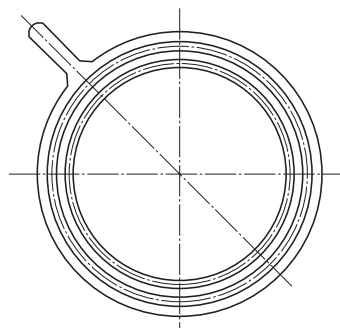
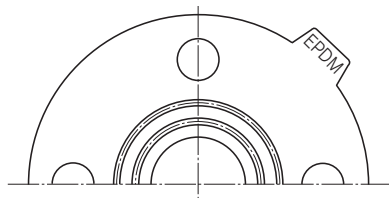
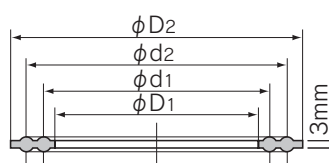
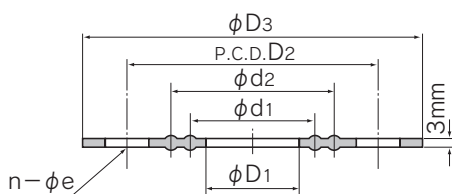
Voflon-F has superior resistance to inorganic acids such as HNO₃, HF and HCl.

Voflon-C has superior resistance to chlorine containing media such as Chlorine Water, NaCl and ClO₂.

*1 14inch, 16inch:FLAT FULL FACE

*2 Except for 1 1/4inch and

DIMENSIONS



Type	Nominal Size	Thickness
PTFE	15mm(1/2inch) to 300mm(12inch)	0.3-0.4mm(0.012-0.016inch)
PVDF	15mm(1/2inch) to 65mm(2 1/2inch) 80mm(3inch) to 300mm(12inch)	0.4-0.5mm(0.016-0.020inch)

DIMENSIONS TABLE

Full-Face Type (DIN 2501)								Unit:mm
Nominal Size		D ₁	D ₂	D ₃	n	e	d ₁	d ₂
mm	inch							
15	1/2	18	65	93	4	14	26	41
20	3/4	22	75	103	4	14	32	47
25	1	30	85	113	4	14	38	53
32	1 1/4	37	100	138	8	18	50	65
40	1 1/2	43	110	148	4	18	54	69
50	2	54	125	163	4	18	68	83
65	2 1/2	69	145	183	4	18	86	101
80	3	80	160	198	8	18	98	112
100	4	102	180	218	8	18	120	138
125	5	127	210	248	8	18	145	166
150	6	150	240	283	8	23	168	190
200	8	198	295	338	8	23	216	247
250	10	249	350	393	12	23	270	306
300	12	300	400	443	12	23	324	352
350	14	350	460	503	16	25	370	390

Full-Face Type (ANSI CLASS150)								Unit:inch
Nominal Size		D ₁	D ₂	D ₃	n	e	d ₁	d ₂
inch	mm							
1/2	15	0.7	2.4	3.4	4	0.6	1.0	1.6
3/4	20	0.9	2.8	3.8	4	0.6	1.3	1.9
1	25	1.2	3.1	4.2	4	0.6	1.5	2.1
1 1/4	32	1.5	3.5	4.5	4	0.6	2.0	2.6
1 1/2	40	1.7	3.9	4.9	4	0.6	2.1	2.7
2	50	2.1	4.7	5.9	4	0.8	2.7	3.3
2 1/2	65	2.7	5.5	6.9	4	0.8	3.4	4.0
3	80	3.2	6.0	7.4	4	0.8	3.9	4.4
4	100	4.0	7.5	8.9	8	0.8	4.7	5.4
5	125	5.0	8.5	9.9	8	0.9	5.7	6.5
6	150	5.9	9.5	10.9	8	0.9	6.6	7.5
8	200	7.8	11.8	13.4	8	0.9	8.5	9.7
10	250	9.8	14.3	15.9	12	1.0	10.6	12.1
12	300	11.8	17.0	18.9	12	1.0	12.8	13.9
14	350	13.9	18.7	20.9	12	1.14	14.6	15.4
16	400	15.6	21.2	23.4	16	1.14	17.3	18.5

*1 14inch, 16inch:FLAT FULL FACE

RECOMMENDED TIGHTENING TORQUE <ALL MATERIALS / FULL FACE TYPE>

mm(inch)	N·m	FT-LB	mm(inch)	N·m	FT-LB	mm(inch)	N·m	FT-LB
15 (1/2)	17.5	13	65 (2 1/2)	22.5	16	200 (8)	55	40
20 (3/4)	17.5	13	80 (3)	30	22	250(10)	55	40
25 (1)	20	14	100(4)	30	22	300(12)	60	43
40 (1 1/2)	20	14	125(5)	40	29	350(14)	60	43
50 (2)	22.5	16	150(6)	45	32	400(16)	80	58

ASIA VALVE

Abbreviations for Major Materials Used For Asahi AV Products

Symbol	Description
PVC	"PVC" is an abbreviation for "polyvinyl chloride."
C-PVC	The first letter "C" stands for "chlorinated." "C-PVC" refers to "chlorinated polyvinyl chloride," or heat-resistant polyvinyl chloride.
HI-PVC	The first lettering "HI" means "high impact." "HI-PVC" refers to "high impact resist polyvinyl chloride."
PP	"PP" is an abbreviation for "polypropylene."
PVDF	"PVDF" is an abbreviation for "polyvinylidene fluoride."
FRP	"FRP" is an abbreviation for "fiber reinforced plastics."
ABS	"ABS" is an abbreviation for "acrylonitrile butadiene styrene."
PPS	"PPS" is an abbreviation for "polyphenylenesulfide."
PEEK	"PEEK" is an abbreviation for "polyether ether ketone."
PTFE	"PTFE" is an abbreviation for "poly tetra fluoro ethylene."
PDCPD	"PDCPD" is an abbreviation for "polydicyclo pentadiene."
UHMWPE	"UHMWPE" is an abbreviation for "ultra high molecular weight polyethylene."
EPDM	"EPDM" is an abbreviation for "ethylene propylene diene rubber."
FKM	"FKM" is an abbreviation for "fluorocarbon rubber."
Viflon F,C (FKM-F, FKM-C)	"Viflon" is Trade Mark of ASAHI ORGANIC CHEMICALS INDUSTRY CO., LTD. of the Terpolymerization Fluorocarbon Elastomers.
SBR	"SBR" is an abbreviation for "styrene butadiene rubber."
NBR	"NBR" is an abbreviation for "acrylonitrile butadiene rubber."
IIR	"IIR" is an abbreviation for "isobtylen isopren rubber."
CSM	"CSM" is an abbreviation for "chlorosulphonated polyethylene."
PPG	"PPG" is an abbreviation for "Glass Fiber Reinforced Polypropylene."
PC	"PC" is an abbreviation for "Polypropylene."
HP-PVC	The first letter "HP" means "High Purity" "HP-PVC" refers to "high purity polyvinyl chloride."



REN-XIN LOCATIONS

Guangzhou Renxin Mechanical&Electronic
Equipment Co.,Ltd
Guangzhou CHINA
Tel: +86/20-8222806
Fax: +86/20-82226718
E-Mail: jingsong.ding@139.com